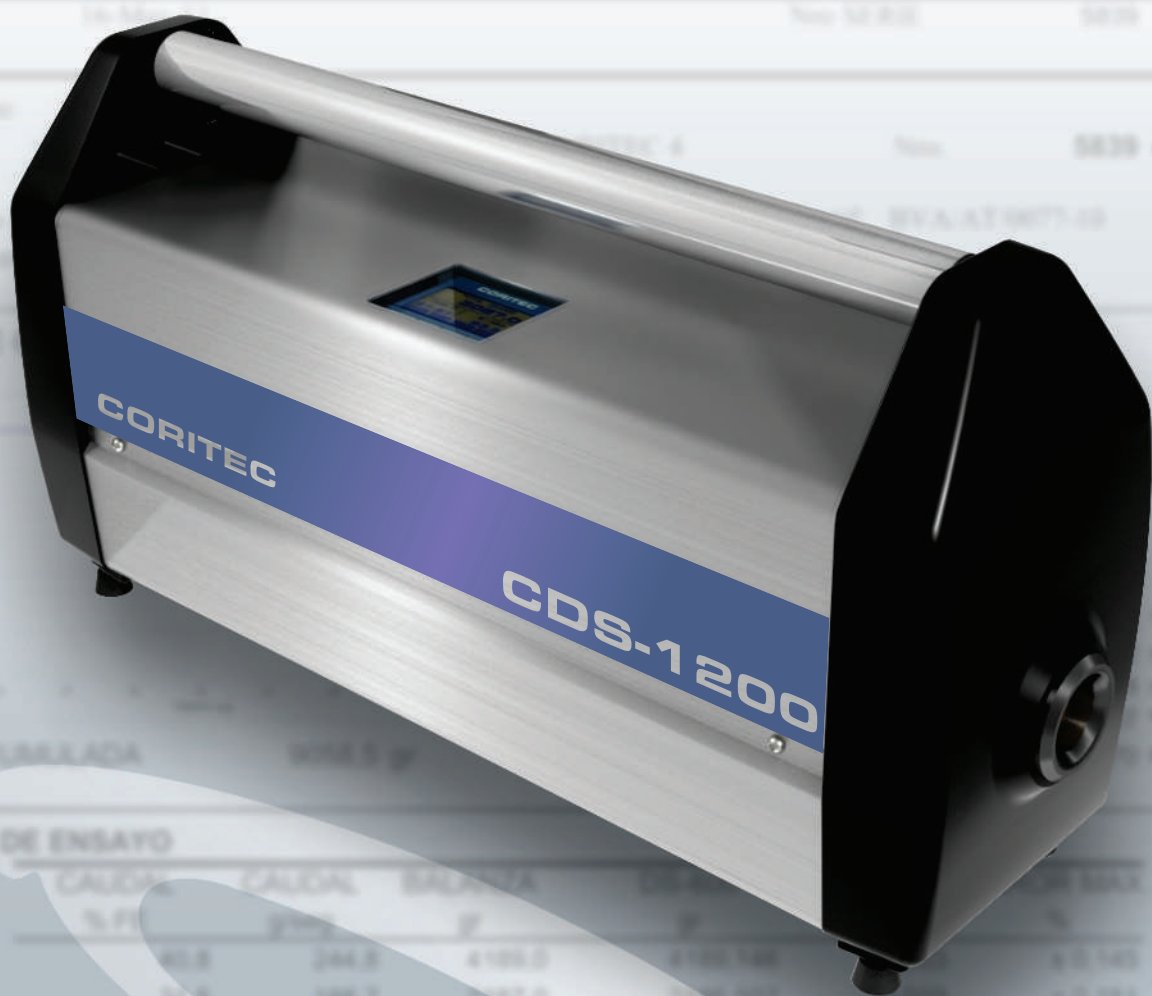


CORITEC CDS-1200



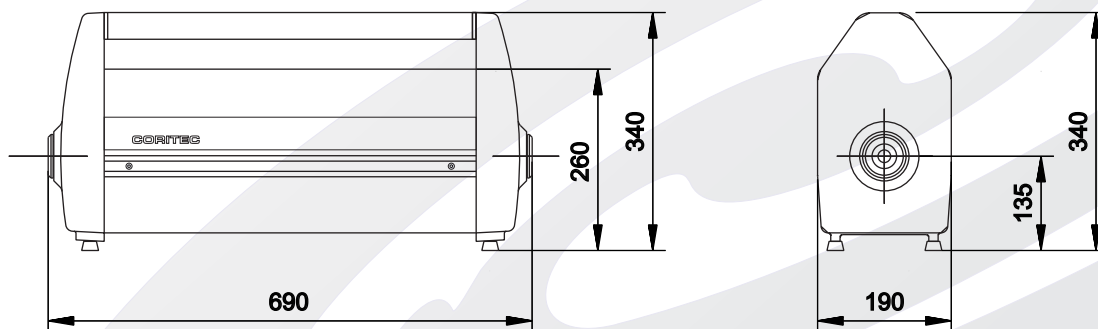
**NGV master meter
instrument**

Technical specifications

Flow rate (nominal)	1 to 100 kg/min
Accuracy	±0.5 % of flow rate + zero stability
Zero stability	±0.50 gr/min
Weight	14 Kg
Operating conditions	
Ambient Temperature	-10 to + 60 °C
CNG Temperature	0 to + 75 °C
Max CNG Pressure	375 bar
Hose connectors	NAG 418 Optional customer requirements
Mass flow meter	CORITEC DS-1200
Pressure transducer	0 to 400 bar
Classification	Ex ib IIA T1 Gb
Power supply	NiCd 14.4 V 2400 mAh battery (external charger included)
Power consumption	2.5 W

This instrument has a CORITEC DS mass flow meter with DSP technology, which provides highly accurate and reliable measurements even under adverse conditions (electrical or mechanical noise). The stainless steel and aluminum enclosure is very sturdy, lightweight and transportable. The information is shown in a graphical dot matrix display that is protected by a 6 mm thick glass. A 4-button capacitive touch keypad allows the user to access the configuration menu. Battery operation and standard hose connectors simplify the field usage of the device. Battery saving mode extends operating time without recharging. Variables: mass, flow rate, pressure, temperature, totalizer, dispatch counter, battery voltage. Wireless Bluetooth interface to connect to laptop or smart phone included.

Dimensions (mm)



CORITEC s. r. l.

Yatay 146/148 (1184 ADB)
Buenos Aires - Argentina

Tel.: + 54 11 4981-6437
Tel.: + 54 11 4981-5742
www.coritec.com
e-mail: info@coritec.com